

**Play value**

Despite its commanding size, the Ornithopter nevertheless looks light and „fit to fly“. This play installation, which is weird in the best sense, creates a very special atmosphere and evokes numerous connotations. The bird can be seen from a far and makes the place where it is installed unmistakable. Children are fascinated by this exceptional play offer. The bird starts moving as soon as a „passenger“ gets on.



Special version, Photo © Daniel Perales

**Fundamental characteristics**

- Unique and original
- The body of the bird is swinging
- The soft movement is determined by the dimensions of the parts of the body (long pendulums)
- Incentive for playing: bird shape, role-playing games
- Movement: swinging, physical effort, climbing

**Recommended for**

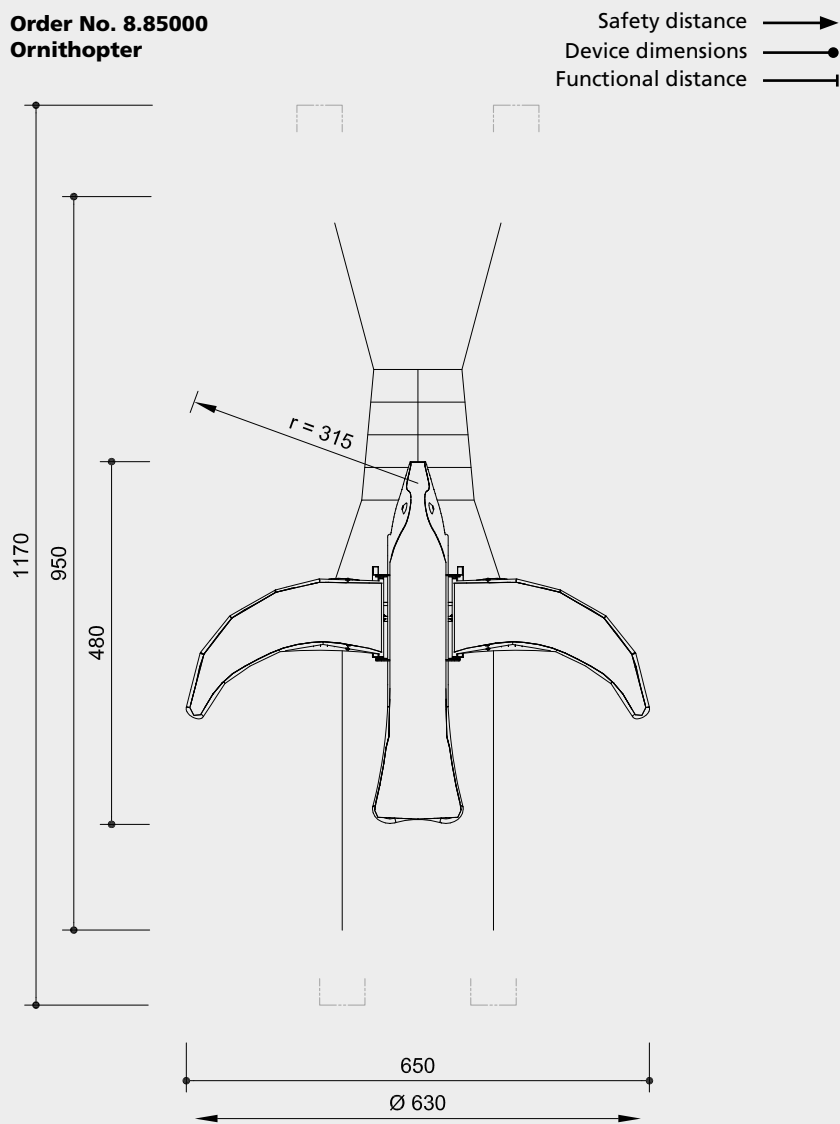
- School children
- Young people
- Public play areas without supervision, such as playgrounds, parks or similar
- Leisure parks

**Ornithopter**



8.85000

**Order No. 8.85000**  
**Ornithopter**



Scale 1:100

Safety check according to DIN EN 1176

**Components**

- 1 Complete unit with guy ropes and climbing net
- 1 Supporting frame for setting into concrete

**Installation information**

Surfacing requirements corresponding to a fall height of  $\leq 2.00$  m (please refer to price list for more detailed information)

Foundations  
 1 item 180 x 180 x 80 cm  
 Excavation depth 120 cm  
 (To be steel-reinforced on site)  
 4 items 60 x 70 x 40 cm  
 Excavation depth 80 cm

**Attention:**  
**Exact measurements may vary, for all installation dimensions refer to current installation instructions.**  
 Technical changes reserved.

**Technical information**

Equipment made of stainless steel, glass bead blasted

**Richter Hercules type rope**

Richter Hercules type rope, a combination of galvanised six-strand steel cables and polyester yarn, diameter  $> 20$  mm, laid and glued with very good abrasion resistance, strong sheathing even in the case of damage by puncturing



**Aluminium rope pressing**

Aluminium rope pressing, cylindrically pressed, with rounded ends



**S-connectors**

S-connectors  $\varnothing 8.1$  mm, made of high-quality stainless steel, rounded



**Rotating rope connection**

Rotatable fitting without dangerous openings, with sintered bush with integrated swivel to ensure the rope untwists



**Sintered bush**

For all reciprocating movements we use sintered plain bearings which are self-lubricating in use and can easily be exchanged if necessary



**Ground anchor**

All parts used for anchoring to the ground are made of hot-dip galvanised steel or stainless steel



**Roller bearings**

High-quality roller bearings made of chrome steel or stainless steel for rotating elements, easy to maintain and exchange, sealed



**For more detailed explanation of the quality characteristics see price list.**

Safety ropes with shock absorbers

Standard colour rope: black

**Dimensions**

(small deviations possible)

Max. height	4.00 m
Sitting height	2.00 m
Length	9.50 m
Width	6.50 m
Weight	860 kg



**8.85000**