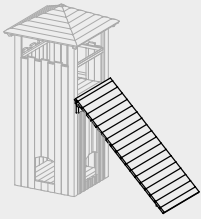
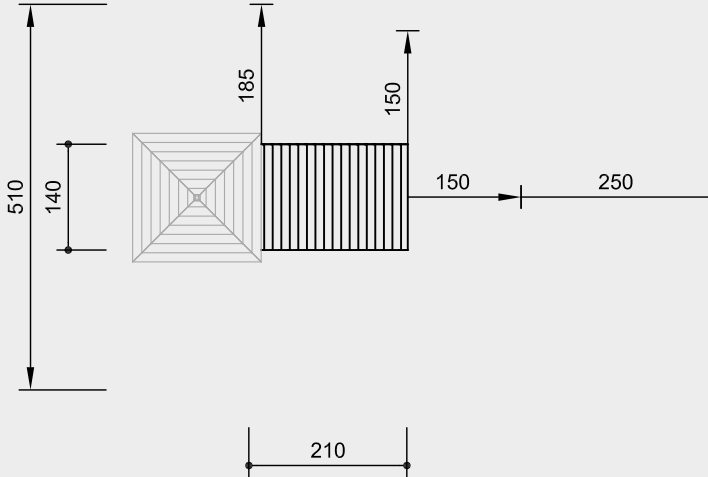
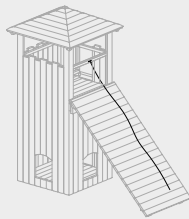


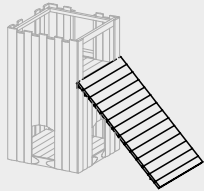
**Order No. 3.67511**  
**Inclined Wall**  
 for attachment to Tower  
 with roof 2.00 m (**Order No. L3.20600**)



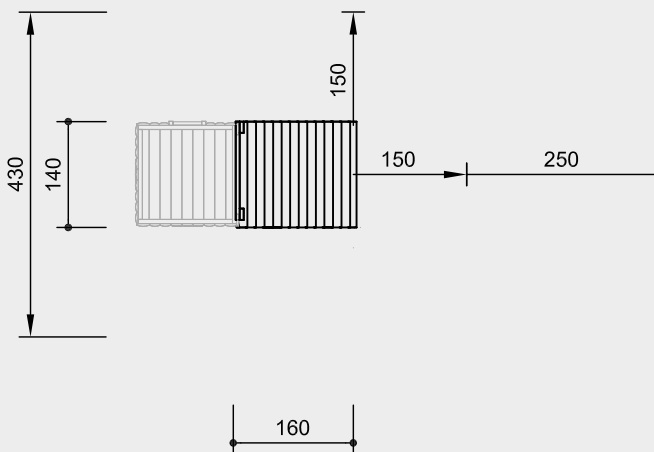
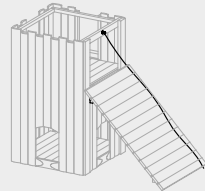
**Order No. 3.69440**  
**Holding Rope**  
 for Inclined Wall  
 with installation height 2.00 m



**Order No. 3.67514**  
**Inclined Wall**  
 for attachment to  
 Tower 1.50 m (**Order No. L3.20500**)



**Order No. 3.69470**  
**Holding Rope**  
 for Inclined Wall  
 with installation height 1.50 m



Scale 1:100

Safety check according to DIN EN 1176

**Attention:**  
 Exact measurements may vary;  
 for all installation dimensions refer  
 to current assembly instructions.  
 Technical changes reserved.

**Technical information**

Equipment made of non-impregnated mountain larch

**Core-free**

Sawn-timbers core-free, thus decreasing occurrences of cracking and undesired changes in shape



**Tongue and groove**

Tongue and groove planks made of 4 cm solid wood, highly resilient, no trickling of dust / sand, protection against direct rain



**Ground anchor**

All parts used for anchoring to the ground are made of hot-dip galvanised steel or stainless steel



**Order No. 3.69440 / 3.69470**

**Richter Hercules type rope**

Richter Hercules type rope, a combination of galvanised six-strand steel cables and polyester yarn, diameter > 20 mm, laid and glued with very good abrasion resistance, strong sheathing even in the case of damage by puncturing



**Rotating rope connection**

Rotatable fitting without dangerous openings, with sintered bush with integrated swivel to ensure the rope untwists



**For more detailed explanation of the quality characteristics see price list.**

Standard colour rope: rainbow

**Dimensions**

(small deviations possible)

**Order No. 3.67511**

Installation height	2.00 m
Length	2.95 m
Width	1.30 m
Weight	150 kg

**Order No. 3.67514**

Installation height	1.50 m
Length	2.25 m
Width	1.30 m
Weight	120 kg

**Components**

- 1 Inclined wall with inclination 45° and 2 steel feet

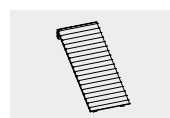
**Installation information**

Surfacing requirements corresponding to a fall height of  
**Order No. 3.67511** ≤ 2.00 m  
**Order No. 3.67514** ≤ 1.50 m  
 (please refer to price list for more detailed information)

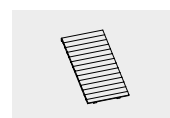
**Foundations**

**Order No. 3.67511 / 3.67514**

- 2 items 50 x 50 x 40 cm
- Excavation depth 60 cm



3.67511



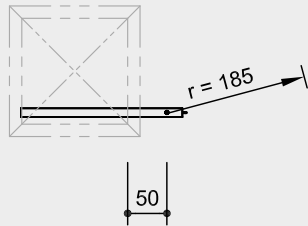
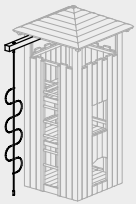
3.67514



3.69440 / 3.69470

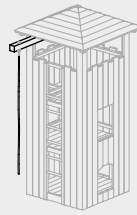
**Order No. 3.69410**

**Serpentine Ladder with Beam**  
for attachment to Tower  
with roof 2.00 m (Order No. L3.20600)



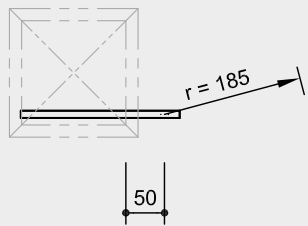
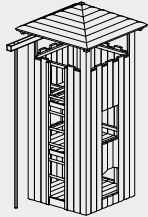
**Order No. 3.69450**

**Swing Rope with Beam**  
for attachment to Tower  
with roof 2.00 m (Order No. L3.20600)



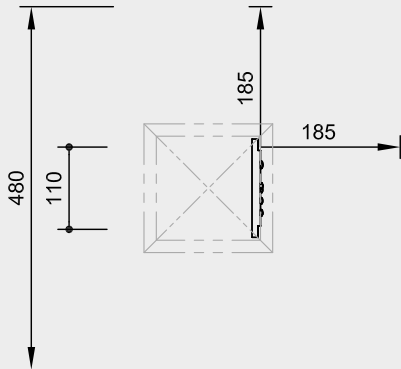
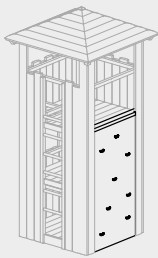
**Order No. 3.69460**

**Firemen's Pole with Beam**  
for attachment to Tower  
with roof 2.00 m (Order No. L3.20600)



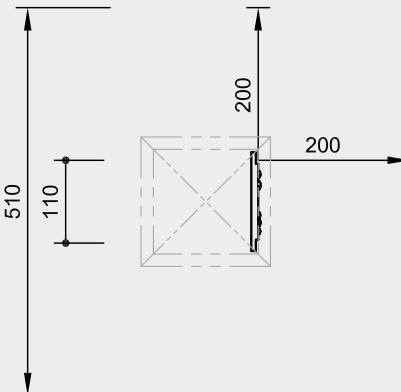
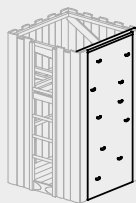
**Order No. 3.67502**

**Climbing Wall**  
for attachment to Tower  
with roof 2.00 m (Order No. L3.20600)



**Order No. 3.67504**

**Climbing Wall**  
for attachment to Tower  
with roof 2.00 m (Order No. L3.20600)



Scale 1:100

Safety check according to DIN EN 1176

**Attention:**

**Exact measurements may vary;  
for all installation dimensions refer  
to current assembly instructions.**

Technical changes reserved.



3.69410



3.69450



3.69460



3.67502 / 3.67504

**Technical information**

Wooden parts made of non-impregnated mountain larch

**Core-free**

Sawn-timbers core-free, thus decreasing occurrences of cracking and undesired changes in shape



**Order No. 3.69410 / 3.69450**

**Richter Hercules type rope**

Richter Hercules type rope, a combination of galvanised six-strand steel cables and polyester yarn, diameter > 20 mm, laid and glued with very good abrasion resistance, strong sheathing even in the case of damage by puncturing



Standard colour rope: rainbow

**Order No. 3.69460**

Firemen's pole made of stainless steel, glass bead blasted, Ø 42 mm

**Order No. 3.67502 / 3.67504**

**Plywood**

Plywood made of mountain larch, three-layer (3 cm) or five-layer (4 cm). High dimensional stability, waterproof, glued according to DIN EN 13353:2011



**For more detailed explanation of the quality characteristics see price list.**

Professional climbing grips made of a mixture of sand-synthetic resin with 100% safe anti-rotation system against unintended twisting of the grips

**Dimensions**

(small deviations possible)

**Order No. 3.69410 / 3.69450 / 3.69460**

Installation height of cross beam 3.10 m

**Order No. 3.67502 / 3.67504**

Height 2.00 / 2.30 m

Width 1.10 m

**Components**

**Order No. 3.69410 / 3.69450 / 3.69460**

1 Cross beam with combination element

**Order No. 3.67502**

1 Climbing wall, attached with 8 climbing grips

**Order No. 3.67504**

1 Climbing wall, attached with 10 climbing grips

**Installation information**

Surfacing requirements corresponding to a fall height of  
**Order No. 3.69410 - 3.67502** ≤ 2.00 m  
**Order No. 3.67504** ≤ 3.00 m  
(please refer to price list for more detailed information)

**Foundations**

**Order No. 3.69410 / 3.69460**

1 items 30 x 30 x 30 cm

Excavation depth 50 cm

**Order No. 3.69450**

without foundation